

MNT-JUNCTION-BOX-7

Junction Box

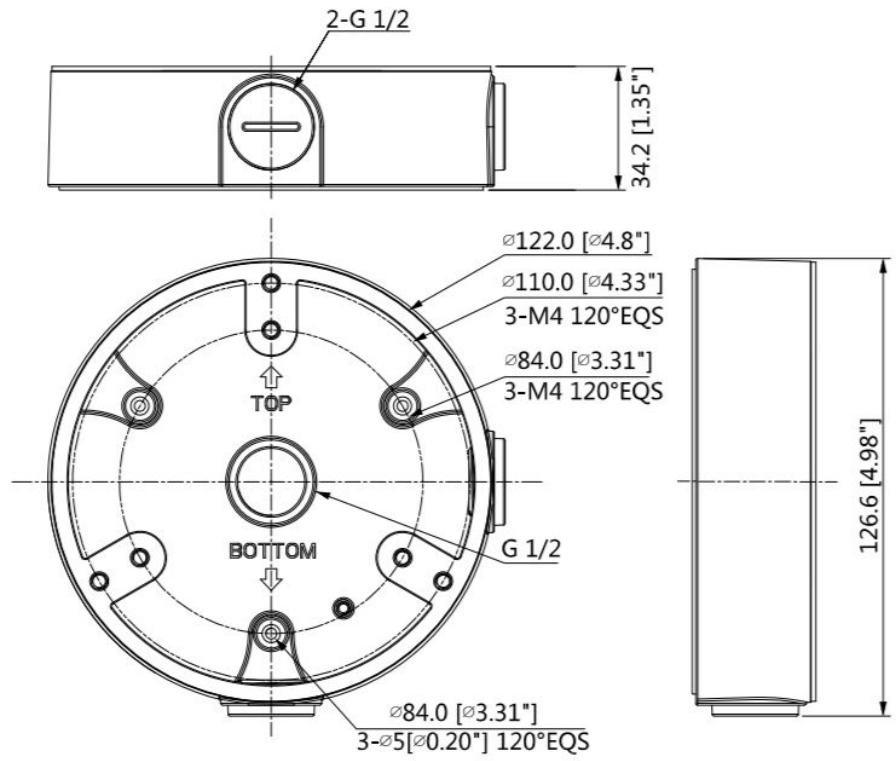


- Aesthetic design
- Material: Aluminum
- Fits medium-sized dome cameras such as ICIP-D2730, D32Z0, D3730, D4732Z, AVS-D2118VF and AVS-D2218Z
- Junction Box

Technical Specification

Model	MNT-JUNCTION-BOX-7
Physical Properties	
Material	Aluminum
Dimension(W xH xD)	122.0mmx34.2mm (4.80"x1.35")
Weight	0.24kg(0.53lb)
Load Bearing	1kg (2.2lb)
Inch Thread	M20(G1/2")
Color	White
Operating Temperature	40°C~60°C(-40°F~140°F)
Humidity	0~90% RH
Applicable Models:	Medium-sized dome cameras such as ICIP-D2730, D32Z0, D3730, D4732Z, AVS-D2118VF and AVS-D2218Z See Accessory Compatibility List.

Dimensions (mm/in)



Application

